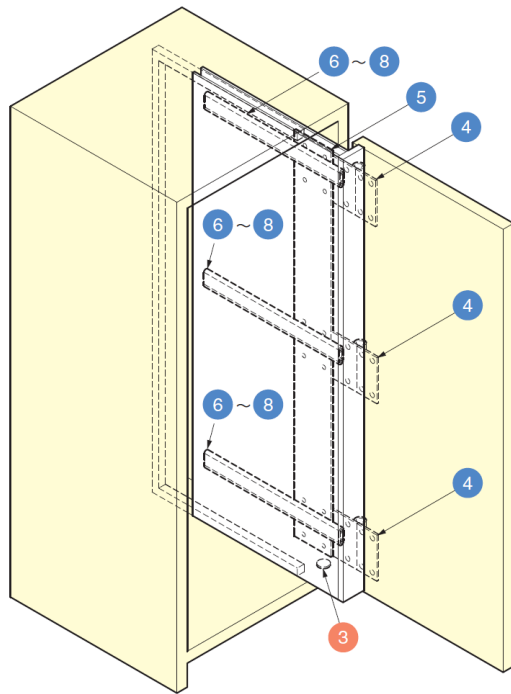


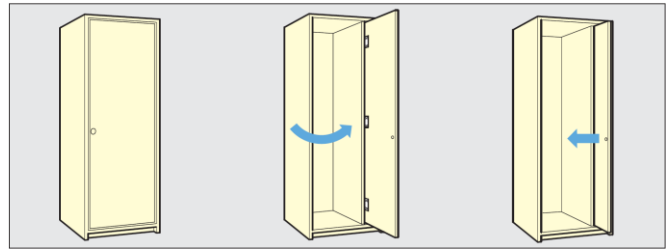
GTSSL-2V Pocket Door System (Inset)



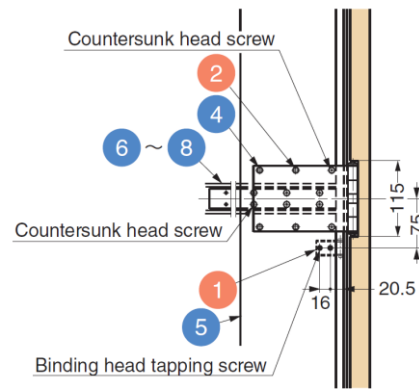
Door Width	Max. 800 mm
Door Height	1760~2300 mm
Door Weight	Max. 20 kg/Door

Features

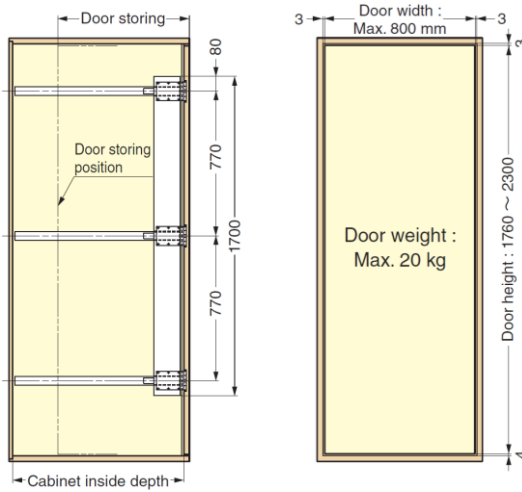
- Opening door is stored inside the cabinet
- One touch door installation & removal



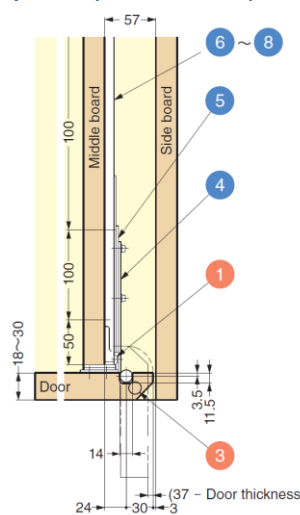
Side View (Wooden Door)



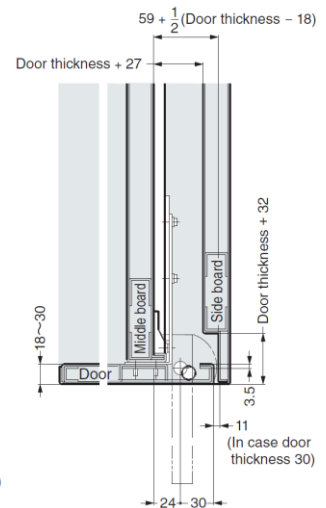
Installation



Top View (Wooden Door)

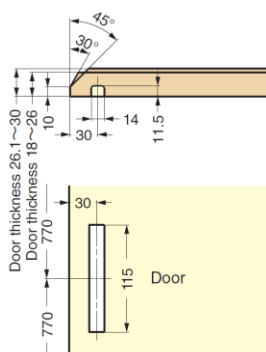


Top View (Steel Door)

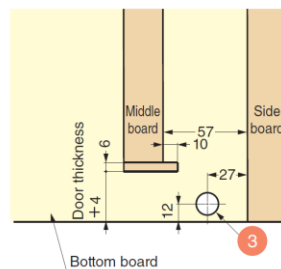


Cut Out Dimensions

Door



Cabinet



● Necessary Parts **Parts Set** + **Hinge** + **Connecting Plate** + **Rails**

Parts Set (Per Door)

Necessary Parts

Type	Part No.
a 600 mm Rails	GTSSL-2VD600
b 800 mm Rails	GTSSL-2VD800
c 900 mm Rails	GTSSL-2VD900

Parts Set

No.	Qty	Part Name	Dimensions	Description
1	a	Door Stopper		<ul style="list-style-type: none"> Material Steel Finish Clear Zinc Chromate
	b			
	c			
2	a	Bolt		<ul style="list-style-type: none"> Material Steel Finish Yellow Zinc Chromate
	b			
	c			
3	a	Slider		GF-15 <ul style="list-style-type: none"> Material POM Finish Natural
	b			
	c			

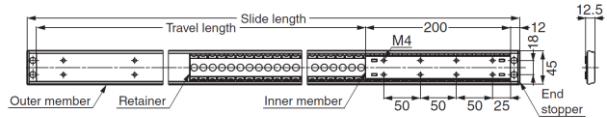
Rail

Necessary Parts

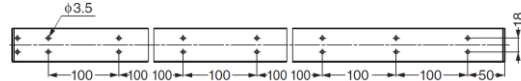
3 pcs are necessary for 1 door.

No.	Type	Qty	Item Code	Part Name	Description
6	Slide Length 600 mm	1 pc	GTSSL-600SV	Rail 	● Material SUS304
7	Slide Length 800 mm	1 pc	GTSSL-800SV		
8	Slide Length 900 mm	1 pc	GTSSL-900SV		

Rail Dimensions



< Bore Pitch >



Parts Included

Binding head tapping screw 3.5 × 15 **a** 36 pcs, **b** 48 pcs, **c** 54 pcs
Countersunk head screw 24 pcs

Hinge

Necessary Parts

3 pcs are necessary for 1 door.

No.	Qty	Item Code	Part Name	Dimensions	Description
4	1 pc	GTSSL-2VH	Hinge		<ul style="list-style-type: none"> Material Steel Finish White

Connecting Plate

Necessary Parts

1 pc is necessary for 1 door.

No.	Qty	Item Code	Part Name	Dimensions	Description
5	1 pc	GTSSL-2VP	Connecting Plate		<ul style="list-style-type: none"> Material Steel Finish Yellow Zinc Chromate

Part No.	Slide Length	Travel Length	Bore Qty N	Door Storage	Depth Inside Cabinet
GTSSL-600SV	600	376	12	402.5 + Door Thickness	Min. 620
GTSSL-800SV	800	574	16	602.5 + Door Thickness	Min. 820
GTSSL-900SV	900	676	18	702.5 + Door Thickness	Min. 920